



SERIES AVLV | LOW AIR VELOCITY TRANSMITTER



FEATURES/BENEFITS

- Sensing elements have been coated with an engineered conformal coating to ensure durability and longevity
- Field selectable ranges can be quickly configured without power to the unit

APPLICATIONS

- VAV systems
- Building ducts
- Clean room systems

DESCRIPTION

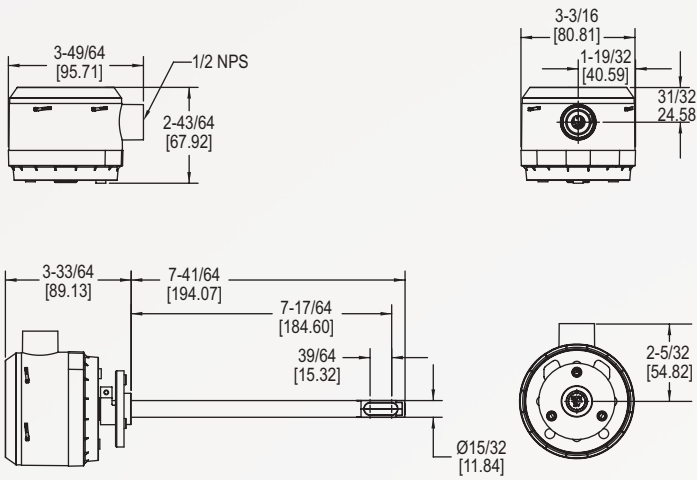
The **Series AVLV Low Air Velocity Transmitter** quickly and accurately measures air velocity or volumetric flow in imperial or metric units. Simultaneous current and voltage outputs on all models provide universal inputs to monitoring equipment while the output range, units, and 0-5/10 VDC output can be configured via local DIP switches. The optional integral display, or the portable remote tool, provide a convenient way to local monitor process values and configure the unit.

Models are available in 1% and 2% accuracy models and low velocity ranges to suit a variety of needs, and the optional BACnet MS/TP or Modbus® RTU/ASCII communication protocol allows units to be daisy-chained while providing access to all of the velocity and flow data, as well as additional information such as air temperature. The lower ranges in these high accuracy units allow for applications in quality intensive environments, such as the pharmaceutical industry.

SPECIFICATIONS

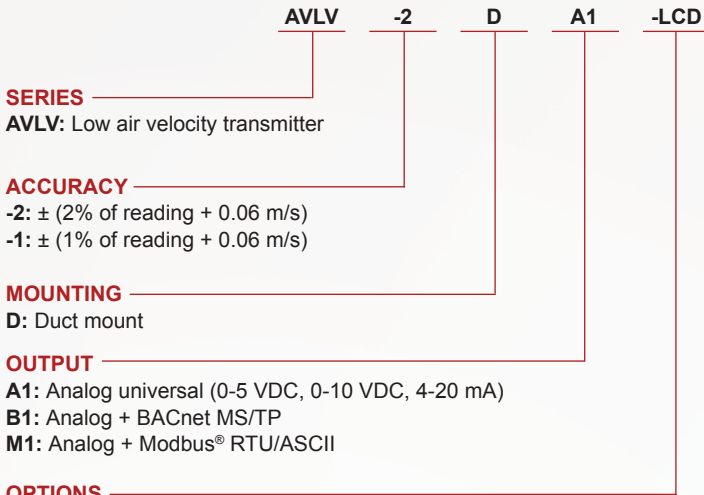
Service	Clean air and non-combustible, compatible gases.
Wetted Materials	Consult factory.
Range	100, 200, 300, 400 FPM (0.5, 1, 1.5, 2 m/s); field selectable.
Accuracy	See chart.
Temperature Limits	32 to 122°F (0 to 50°C).
Power Requirements	24 VDC ±20% or 24 VAC ±20%.
Humidity Limits	5 to 95% RH, non-condensing.
Output Signals	4-20 mA, 0-5 VDC, 0-10 VDC.
Response Time (90%)	4 s, typical; 1 s at constant temperature.
Zero and Span Adjustments	Digital push buttons.
Output Load Resistance	Current output: 0 to 1100 Ω max.; Voltage output: Minimum load resistance 1 kΩ.
Current Consumption	60 mA max.
Display	5 digit LCD (optional).
Electrical Connections	Analog: Power and output: four wire removable European style terminal block for 16 to 26 AWG; Communication: Connections: BACnet MS/TP or Modbus® RTU/ASCII: three wire removable European style terminal block for 16 to 26 AWG.
Supported Communication Baud Rates	9600, 19200, 38400, 57600, 76800, 115200. (optional).
Device Load	1/8 unit load.
Electrical Entry	1/2" NPS thread. Accessory: Cable gland for 5 to 10 mm diameter cable, A-151.
Enclosure Rating	NEMA 4X (IP66).
Mounting Orientation	Flow direction must be parallel to the sensor tip.
Weight	6.0 oz (160 g).
Agency Approvals	BTL, CE.

DIMENSIONS



HOW TO ORDER

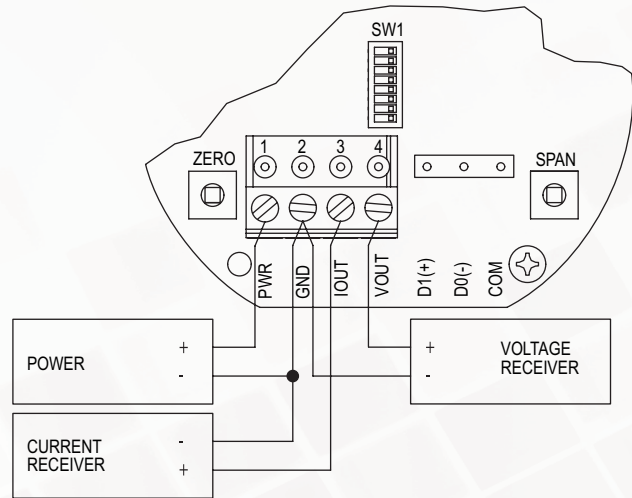
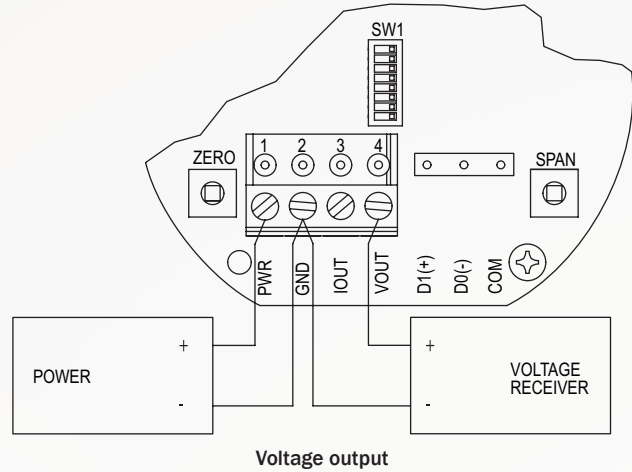
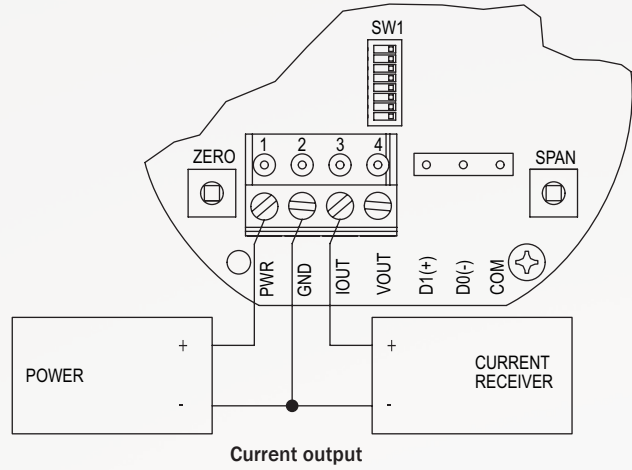
Use the **bold** characters from the chart below to construct a product code.



ACCESSORIES

Model	Description
A-AVLV-LCD	Field upgradeable display
A-AVUL-MTG	Replacement duct mount plate assembly

WIRING DIAGRAM



Modbus® is a registered trademark of Schneider Automation, Inc.



DWYER INSTRUMENTS, INC.